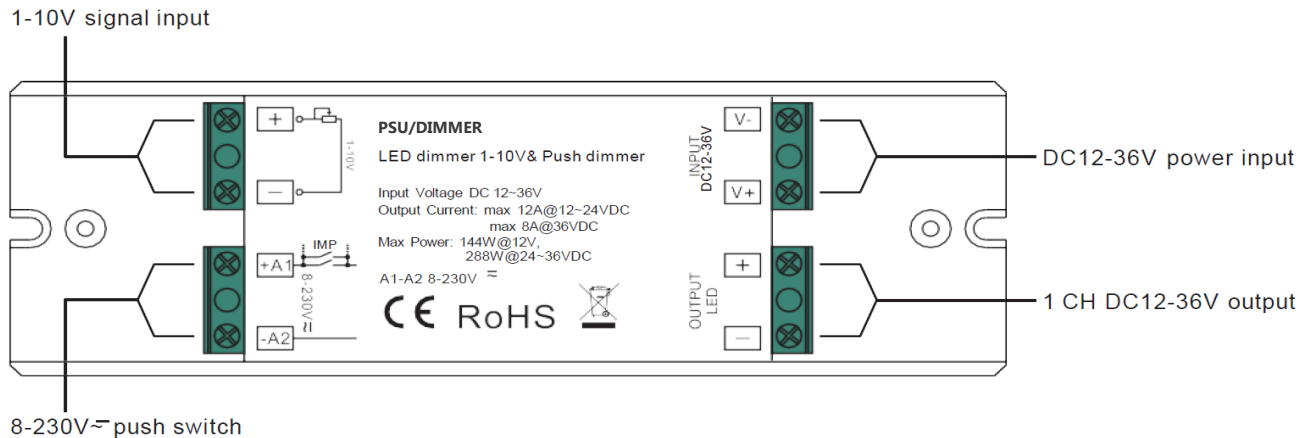


## Lighting Specification

### PSU/DIMMER - LED Interface

Data Sheet: Page 1 of 2 SM/SB 19/10/2018

#### Function



#### Product Data

Input Voltage	Output Current	Output Power	Remarks	Size (L x W x H)
12-36VDC	max12A@12-24VDC	1x (144-288)W	Constant voltage	145 x 46.5 x 16mm

- 1 channel 1-10V signal input, 1 channel PWM output
- Compact size, high output current
- 1 channel, max 12A@12-24VDC/max 8A@36VDC/CH output
- Ultra-pro push dim function
- Compatible with universal 8V-230V input push switches
- Directly supports both AC and DC input push switches
- 1-10V dimmer function controlled by 1-10V signal
- Waterproof grade: IP20

#### Safety and Warnings

- DO NOT install with power applied to device.
- DO NOT expose the device to moisture.

#### Operation

This product supports both 1-10V control and push dimmer function while connected with 1-10V signal and AC push switches respectively.

#### Push Dimmer

- Click the button to switch ON/OFF
- Press and hold down the button to increase or decrease light intensity to desired level and release it, then repeat the operation to adjust light intensity to opposite direction.

**Note:** DO NOT connect and use 1-10V and push dimmer simultaneously, just choose either of them to control.

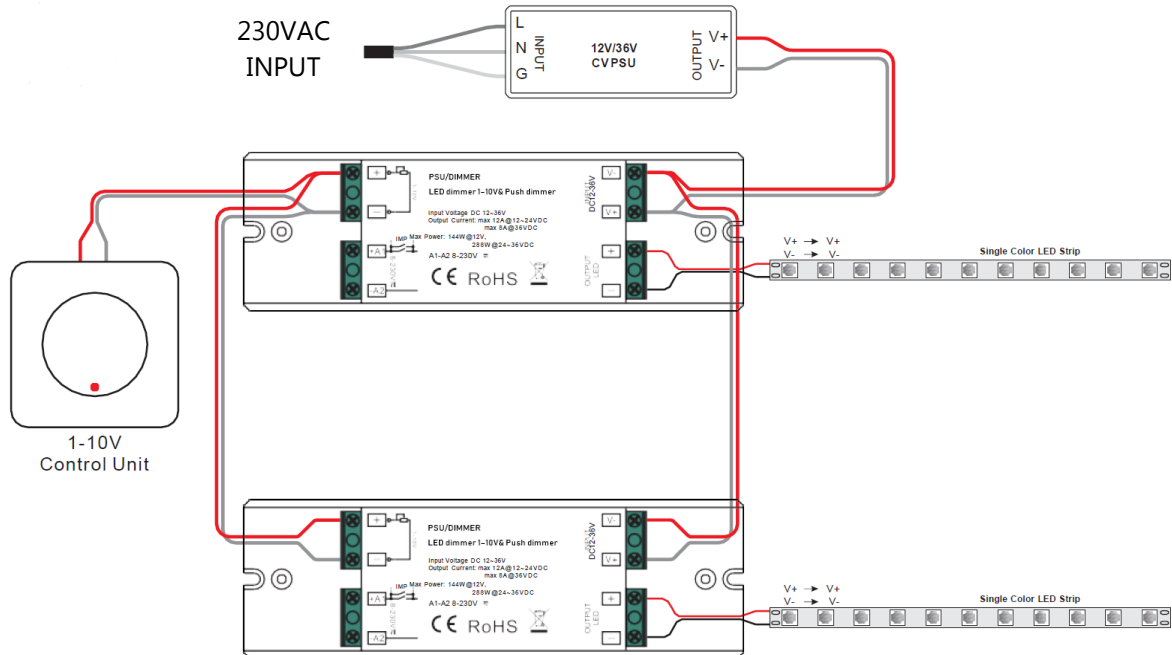
## Lighting Specification

### PSU/DIMMER - LED Interface

Data Sheet: Page 2 of 2 SM/SB 19/10/2018

#### Wiring Diagram

- Control by 1-10 V control unit



- Control by push switch

