



stair rods prestigious locations

description

Stair rods provide a traditional and prestigious finish and are often used with carpet runners. Typically used in prestigious hotels and National Trust properties they can also provide an attractive finish in the home. Stair rods are supplied in solid brass with a polished and lacquered finish and can also be supplied in a chrome finish to special order. A choice of 2 ranges, Niagara (12mm) and Victoria (19mm), complemented with either ball or acorn ends and hinged brackets.

profile availability

Stair Rods

- Niagara range - 12mm diameter, up to 2500mm maximum single length. Hinged end brackets to suit. An optional centre bracket (NSRC) may be used for stair rods between 2000mm and 2500mm to help prevent bowing
- Victoria range - 19mm diameter, up to 2500mm maximum single length. Hinged end brackets to suit

Stair Rod Ends

- Niagara range - choice of ball or acorn ends in 38mm or 75mm
- Victoria range - choice of ball or acorn ends in 38mm or 75mm

Stair Rod Packer

- Used to build up bracket where underlay is used

finishes / environment

Stair rods suitable for interior use only.

- Supplied in solid brass with polished and lacquered finish
Also available in chrome finish to special order, contact Customer Support for further information
- Contour edge supplied in mill finish stainless steel

installation

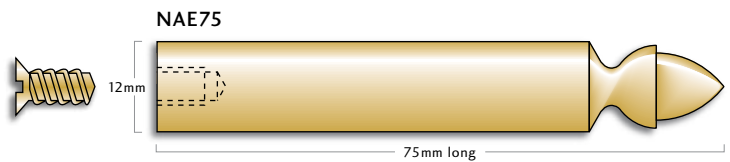
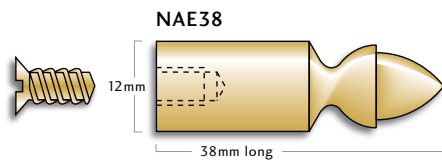
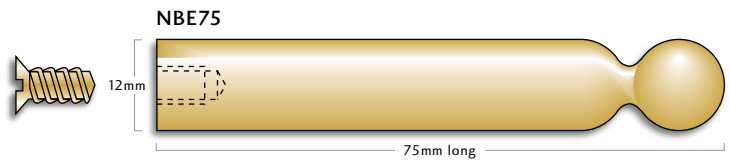
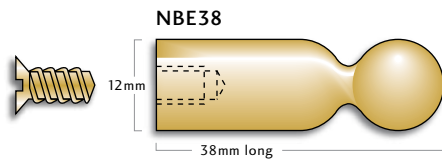
Installation guidelines can be found on page 160.

- Stair rods can be installed with either a carpet runner or wall to wall. If fitting to winding stairs, stair rods should be ordered oversize and trimmed to length after the carpet is in position
- Subject to approval of template stair rods can be curved or fabricated to special shapes
- Contour Edge should be trimmed 25mm short of the carpet width for concealment

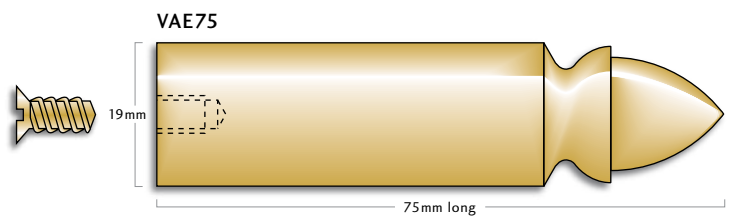
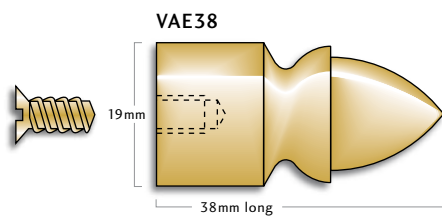
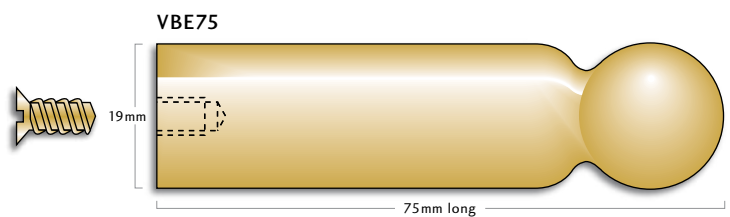
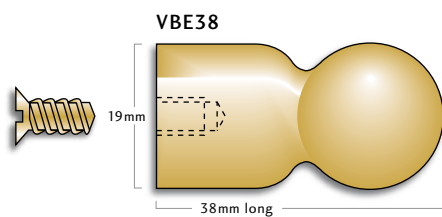
services

- Technical Services
- Samples
- Design Service
- Profiles can be fabricated

niagara rods



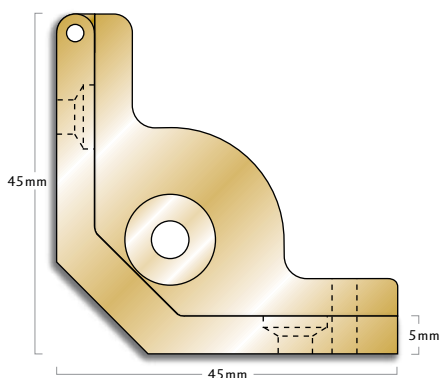
victoria rods



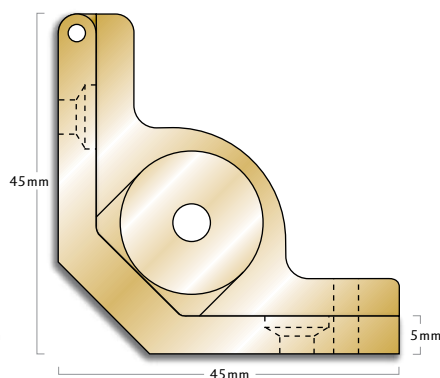
section 3

hinged end brackets

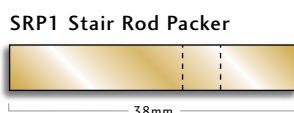
NSRB Niagara End Bracket
use code NSRC for optional centre bracket



VSRB Victoria End Bracket



! If underlay is being used on the staircase, packers may need to be installed. Contact Technical Services for further details.



contour edge

Contour Edge is designed to be used where a stair edging is not required and the carpet is "waterfalled" from the top to the bottom of a flight of stairs. It also helps to reduce wear to both the floorcovering and the leading edge of the step.

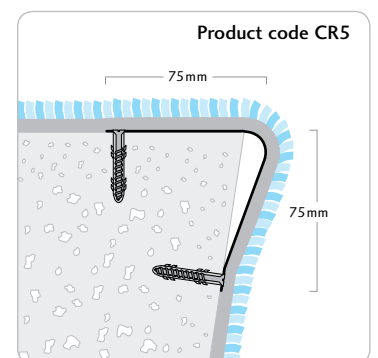


Illustration shown at 50% of actual size.

Profiles: Dimensions shown are nominal. Illustrations are full size in mm. Products subject to minor design alterations without notice.